

# TargetOn *Resolving Collimator*



## *Focusing on your MTF applications*

- This unit is a precise well corrected collimator, projecting on an interchangeable reticule source, to create an infinite projected test pattern target.
- The interchangeable test target would be either positive or a negative pattern.
- For quality control of a vision system, the illuminated positive target is recommended. The created pattern is an imaginary angular bar-like target.
- The collimator's long focal length, in combination with its large aperture, is ideal for deriving high precision MTF and cut-off resolution of optical systems, such as: cameras, lenses, vision systems, etc.
- The built in focusing feature and interchangeable reticules, combined with optional pillar- type base and led adjustable illumination, makes it a precision multi purpose instrument for optical system testing.



### **DUMA OPTRONICS LTD.**

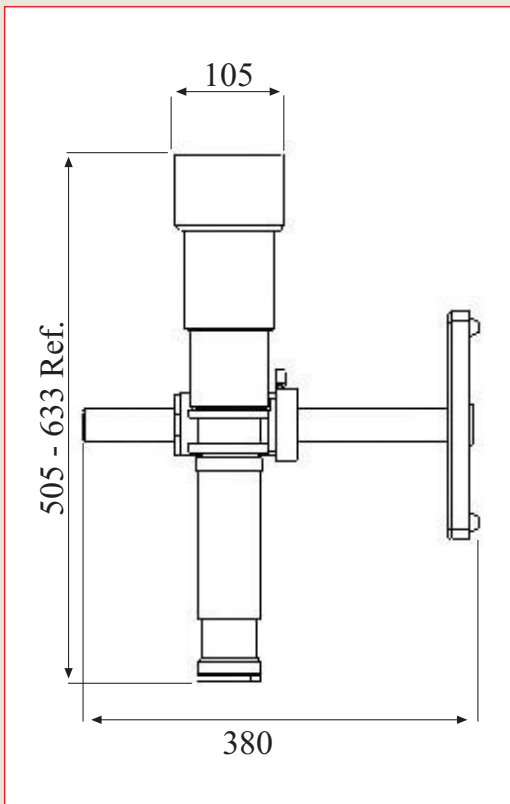
1st Hazait St., P.O.Box 3370 Nesher 20306, Israel Tel:972-4-8200577 Fax: 972-4-8204190  
Website:<http://www.duma.co.il> E-mail:[sales@duma.co.il](mailto:sales@duma.co.il)



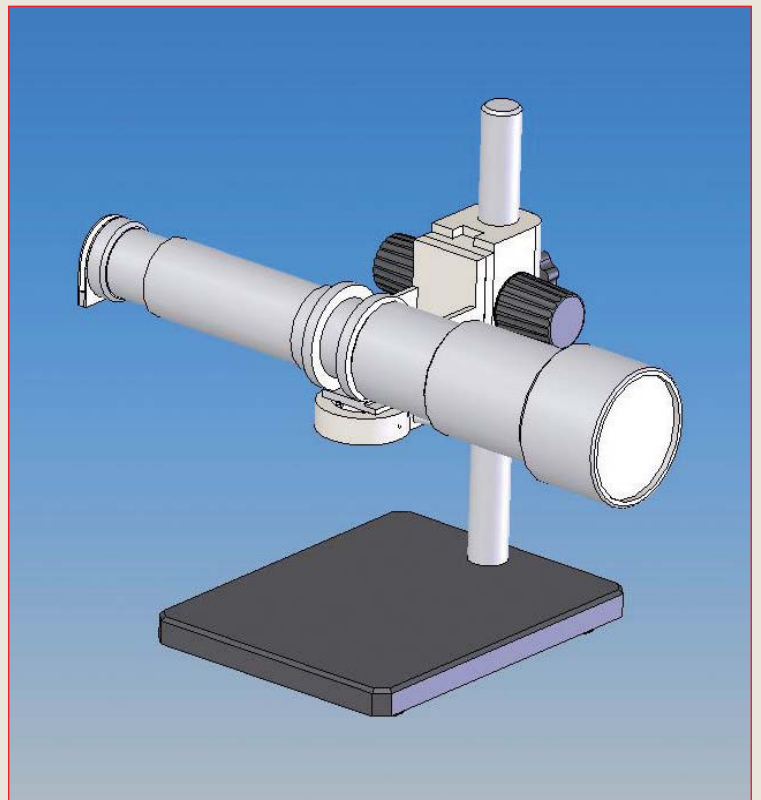
# Resolving Collimator

## Specifications:

|                                |             |
|--------------------------------|-------------|
| <b>Focal length:</b>           | 650mm       |
| <b>F# :</b>                    | 1 : 8       |
| <b>Focus:</b>                  | Adjustable  |
| <b>Mechanical dimensions:</b>  | See drawing |
| <b>Field of view</b>           | 50 mRad Max |
| <b>Mechanical Target size:</b> | 50X50mm     |



Dimensions are in millimeters



TargetOn mounted on a stand

## Ordering Information:

**TargetOn** Resolving collimator

## Accessories:

**STAND** - Adjustable height stand

**LIGHT** - LED Ring illumination (white light) with adjustable power, power supply included



## DUMA OPTRONICS LTD.

1st Hazait St., P.O.Box 3370 Nesher 20306, Israel Tel:972-4-8200577 Fax: 972-4-8204190  
Website:<http://www.duma.co.il> E-mail:[sales@duma.co.il](mailto:sales@duma.co.il)