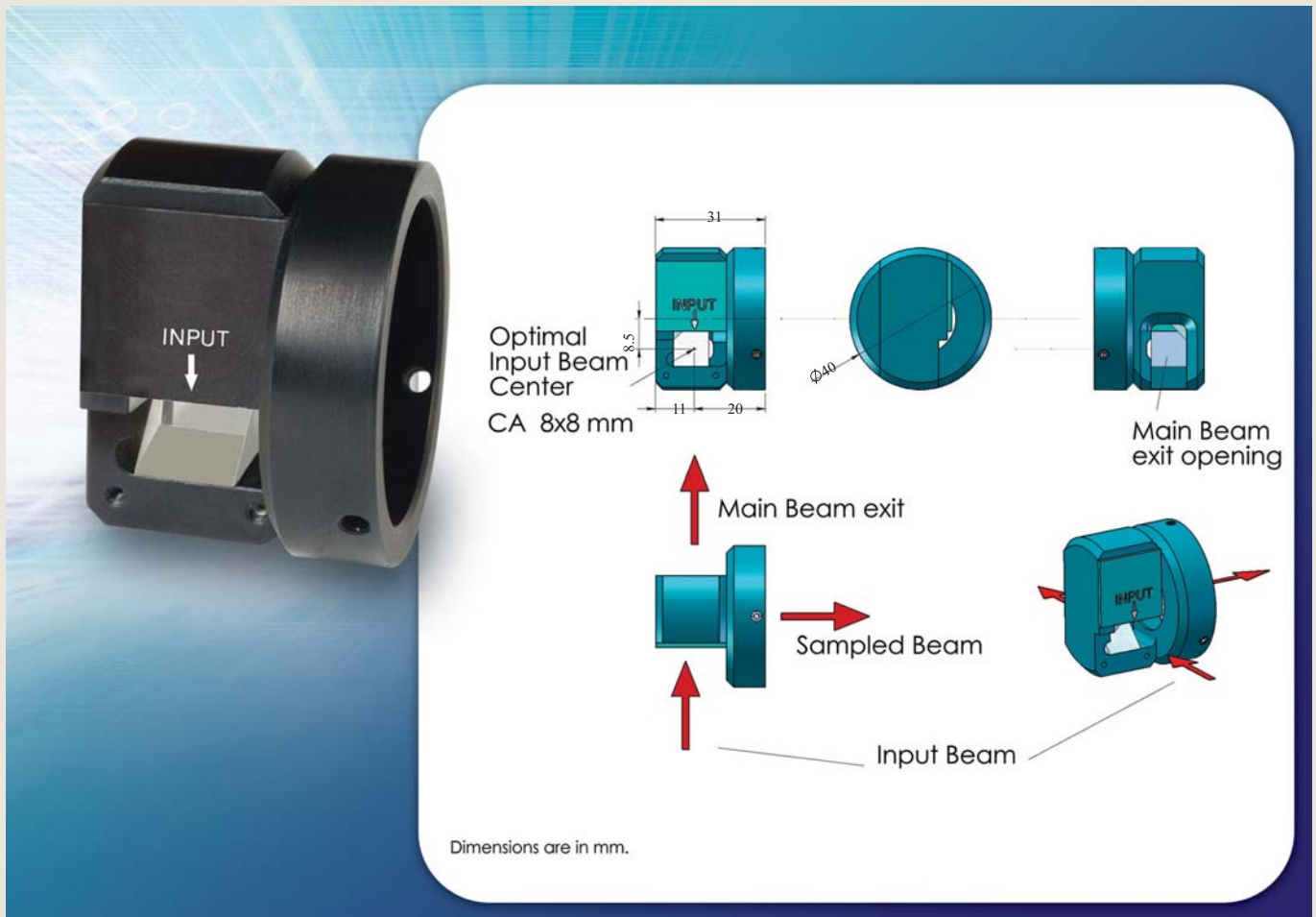


# Reflective Beam Sampler



## *Polarization preserving beam sampler*

**Duma Optronics offers a new reflective beam sampler for our line of high-accuracy, high-power Beam Profilers and Beam Positioning systems**

The sophisticated optical beam sampler reflects the beam twice by two orthogonally oriented surfaces, each reflecting about 4% of the incoming beam.

The sampled beam retains the shape and polarization of the incoming beam, while reducing the beam total power.

This is a general-purpose attachment that can be used along with the following measuring heads:

- BeamOn
- BeamOn HR
- SpotOn CCD
- Beam Analyzer
- $\mu$ Beam

External ventilation should be applied when using high power beams ( Consult factory )



**DUMA OPTRONICS LTD.**

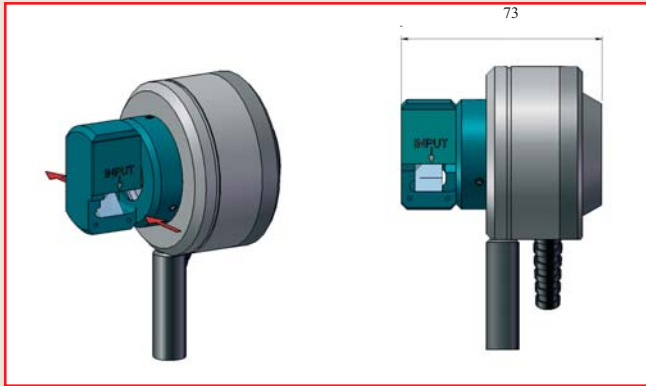
1st Hazait St., P.O.Box 3370 Nesher 20306, Israel Tel:972-4-8200577 Fax: 972-4-8204190

Website:<http://www.duma.co.il> E-mail:[sales@duma.co.il](mailto:sales@duma.co.il)

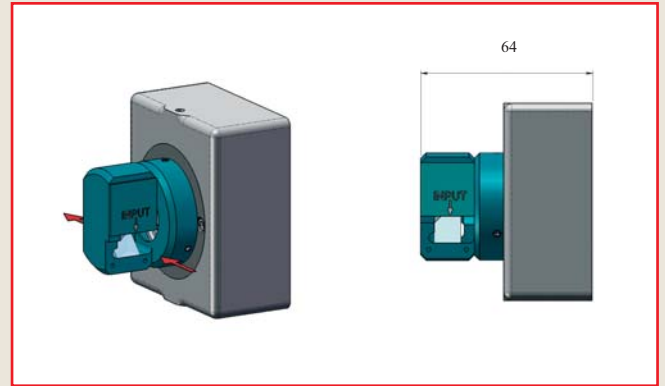


# Possible mounting configurations

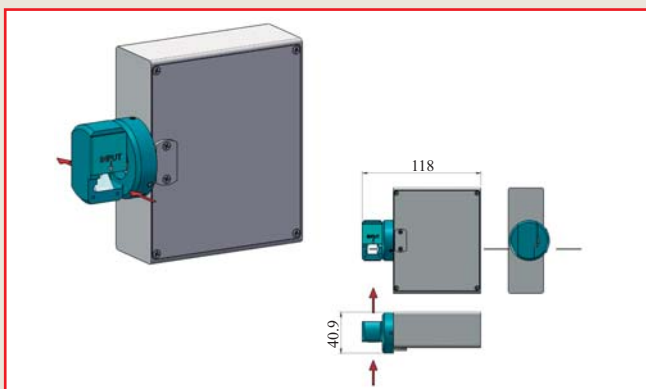
Applicable for both parallel beams and focused beams



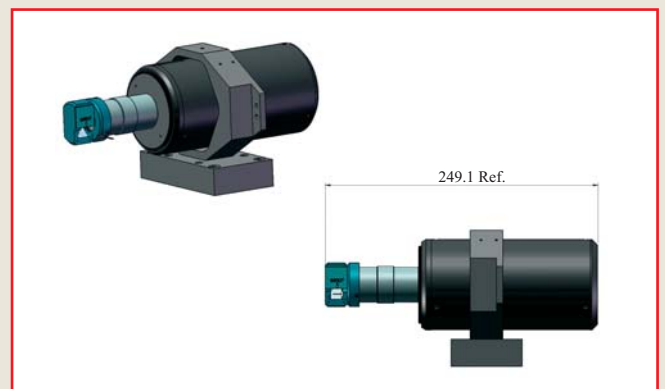
BeamOn / SpotOn CCD + SAM3



BeamOn HR + SAM3



Beam Analyzer + SAM3



μBeam + SAM3

\* Dimensions are in mm



# Specifications

<b>Spectral range</b>	250 - 2000 nm
<b>Sampling reduction factor</b>	0.0016 Average
<b>Dimensions</b>	40 mm dia. X 31mm length
<b>Weight</b>	40 Gram
<b>Clear Aperture</b>	8x8mm
<b>Minimum optical path from input to sampled surface</b>	25mm (depending on the specific model )



# Ordering Information

- SAM3 - A : Attenuator and mounting adapter for BeamOn / BeamOn HR / SpotOn CCD
- SAM3 - B : Attenuator and mounting adapter for Beam Analyzer
- SAM3 : Attenuator for μBeam



## DUMA OPTRONICS LTD.

1st Hazait St., P.O.Box 3370 Neshar 20306, Israel Tel:972-4-8200577 Fax: 972-4-8204190

Website: <http://www.duma.co.il> E-mail: [sales@duma.co.il](mailto:sales@duma.co.il)