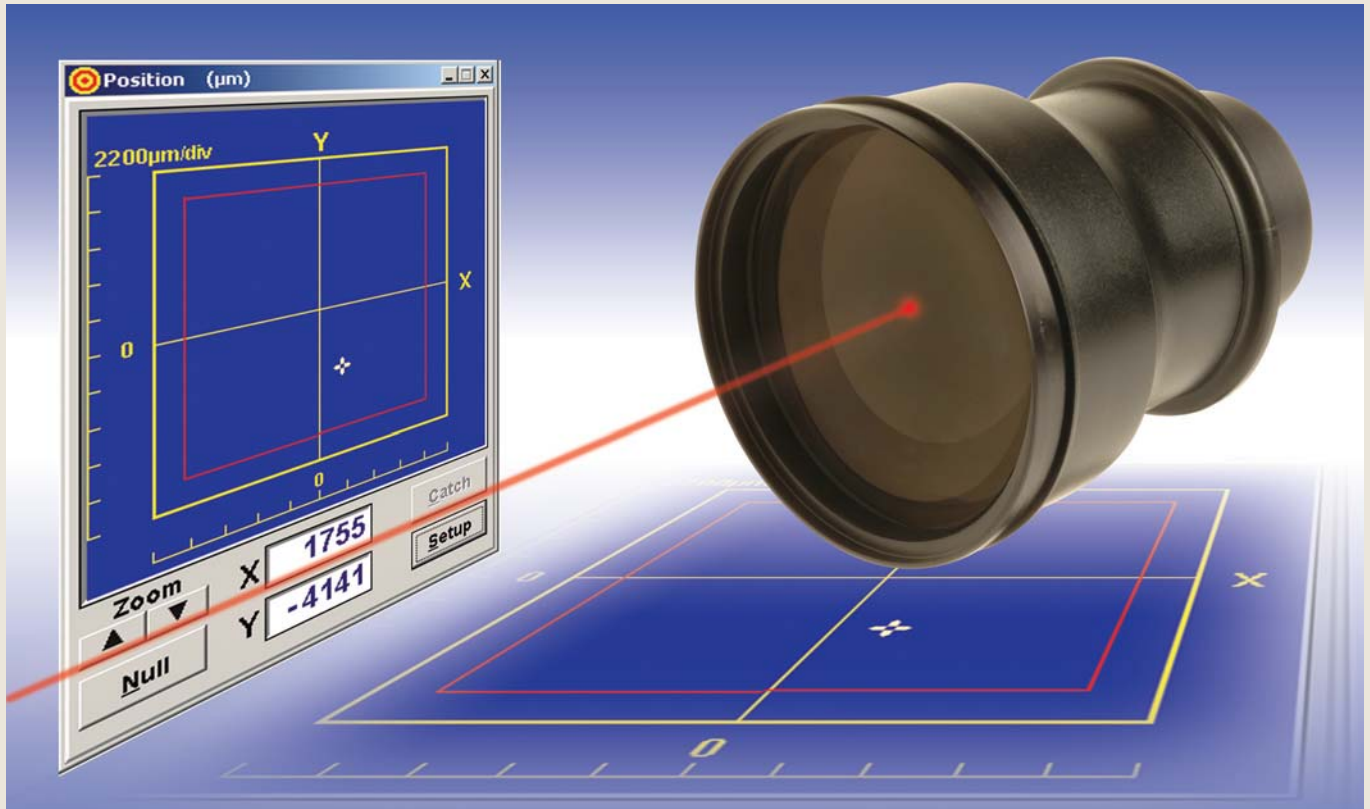


SpotOn

*Optical Beam Position and
Power Measurement System*

E X T E N D E D R A N G E



Novel design for wide measurement range

Specifications

Photodetector	Dual Lateral Effect
Mesuring Range	20mm x 20mm (built in optical expander)
Max beam size	22mm diameter
Position resolution	+/-3µm typical
Position accuracy	Better than 1%
Dimensions	81mm long X 68.5mm diameter
Thread	UNC-1/4" X20 (or M6) for post
Weight	Sensor head with 3m long cable 320 Gr
ND filters	To be front mounted, available ND type and bandpass filters Contact factory for details

Ordering information

Model: ER
Operational with the following systems:
- SpotOn PCI (SPOTPCI-ER)
- SpotOn PCMCIA (SPOTPC-ER)
- SpotOn Analog (SPOTANA-ER)
- SpotOn Analog USB (SPOTANAUSB-ER)



DUMA OPTRONICS LTD.

1st Hazait St., P.O.Box 3370 Nesher 20306, Israel Tel:972-4-8200577 Fax: 972-4-8204190

Website: <http://www.duma.co.il> E-mail: sales@duma.co.il