



NEW

Low Light Dual Mode Camera

Features

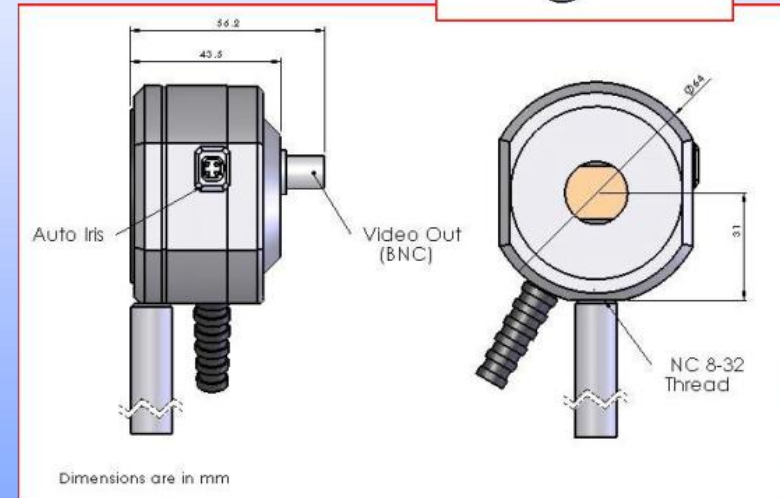
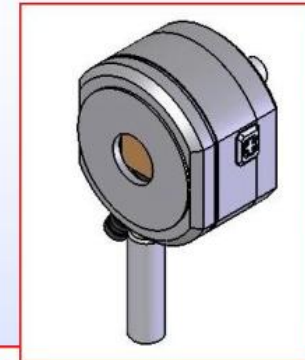
- Extremely low light level – 0.0001 Lx, F 1.4
- Auto – iris lens
- USB 2.0 interface to computer, parallel analog video out
- SN ratio – exceeding 50 dB
- Gain, Shutter, Gamma – computer controlled

Applications

- Low light camera
- Camera for astronomy
- Low light camera for microscopy
- Machine vision

Specifications

Detector type	½" interline transfer CCD sensor
# of total pixels	795(H) x 596(V)
# of effective pixels	752(H) x 582(V)
Cell size	8.6um(H) x 8.3um(V)
Shutter speeds	1/50, 1/120, 1/250, 1/500, 1/1000, 1/2000, 1/5000, 1/10000, 1/100000 sec.
Minimum illumination	0.0001 lx F1.4
Synchronization	Software sync.
Video output	1 Vp-p, 75ohms, unbalanced
Resolution(H)	570TVL (Center)
SN ratio	More than 50dB (AGC OFF)
AGC	HI: 5-60dB, LO: 5-32dB, MGC: 5-60dB,
Back light compensation	OFF (Default), Center, Lower, Center+Lower
Gamma correction	HI (Y=0.35), LO (Y=0.45), OFF (Y=1.0)
Power supply	DC12V±10%
Power consumption	1.32W (110mA)
Operating temperature	-10°C - 40°C
Storage temperature	-30°C - 70°C
Dimensions	64mm Dia. X 56.2mm
Weight	295 gr. With cable



Software features

- Full Hardware control (Shutter, Gain, Gamma, etc...)
- Save retrieve functions
- Image Measuring Capabilities
- Images Comparisons