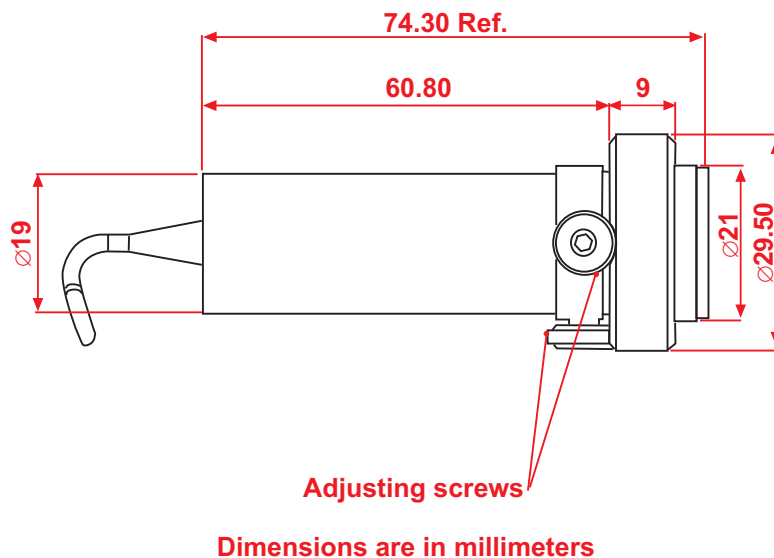


# LaserOn *The Alignment Laser*

Option A) Battery operated (included), cable with thumb switch (360 mm long)

Option B) Cable to external power supply



## ***Main Features:***

- Visible light laser diode (635nm)
- 3V battery operated or external power supply operated
- Compact in size : Length 69.3mm, Tube diameter 19mm (3/4")
- Built-in screws for fine beam direction adjustment, angle range about  $\pm 1^\circ$  in both axes
- Output power > 1mW, max power < 3mW
- Aircraft Aluminum 6061T
- Weight 110 Gram with battery
- Weather-Proof
- Battery operation: over 10 hours

- Spot size @ 13.5% : 3165 $\mu$ m X 1600 $\mu$ m (+/- 20%) at 1m, 3820 $\mu$ m X 3262 $\mu$ m (+/- 20%) at 6m
- Beam divergence : <0.5 mRad
- Power stability : Better than 10  $\mu$ W
- Pointing stability : <1  $\mu$ Rad
- Class 111a laser product

## ***Accessories:***

- 1" ring adaptor for mounting
- Allen key for adjustment of Elevation and Pitch
- Battery (Alkaline 3Volt, CR123A) for model LaserOn Bat only

## ***Ordering information:***

- **LaserOn Bat** : Battery operated laser
  - **LaserOn PS** : Power Supply operated laser
- Power Supply data** : Input Voltage 90-264 VAC, Output Voltage: 3.3V, 1A, noise 1% PTP



**DUMA OPTRONICS LTD.**

1st Hazait St., P.O.Box 3370 Neshar 20306, Israel Tel:972-4-8200577 Fax: 972-4-8204190  
Website: <http://www.duma.co.il> E-mail: [sales@duma.co.il](mailto:sales@duma.co.il)