

# BeamOn Accessories



## Focusing on your applications

- Duma Optronics offers a new line of beam profilers and beam sampling accessories. The high precision line of instruments is capable of analyzing laser beams over a wider range of power levels, from nanoWatts to hundreds of Watts. Laser beams with diameters from 100  $\mu\text{m}$  and up to 16mmx12mm, can be analyzed.
- Designed as mountable accessories, a miniature optical table (MOUNTB) is provided for mounting the BeamOn and various accessories.

### The basic configurations are as follows:

|                        | Power level | Max Beam size | Pixel size              |
|------------------------|-------------|---------------|-------------------------|
| BeamOn+SAM1            | 10W         | 6.4X4.8mm     | 8.6xX8.3 $\mu\text{m}$  |
| BeamOn+SAM2            | 100W        | 6.4X4.8mm     | 8.6xX8.3 $\mu\text{m}$  |
| BeamOn+RDC+Filters(x2) | ~50mW       | 16X12mm       | 21.5X20.7 $\mu\text{m}$ |
| BeamOn+RDC+SAM1        | 10W         | 16X12mm       | 21.5X20.7 $\mu\text{m}$ |
| BeamOn+RDC+SAM2        | 100W        | 16X12mm       | 21.5X20.7 $\mu\text{m}$ |



## DUMA OPTRONICS LTD.

1st Hazait St., P.O.Box 3370 Neshet 20306, Israel Tel:972-4-8200577 Fax: 972-4-8204190  
 Website:<http://www.duma.co.il> E-mail:[sales@duma.co.il](mailto:sales@duma.co.il)



# Beam On Accessories

## The provided beam samplers are offered in two models:

1. Polarizing with fixed sampling ratio of about  $3 \times 10^{-3}$  from 350nm-1100nm
2. Non-Polarizing with fixed sampling ratio of about  $1 \times 10^{-6}$  from 350nm-1100nm

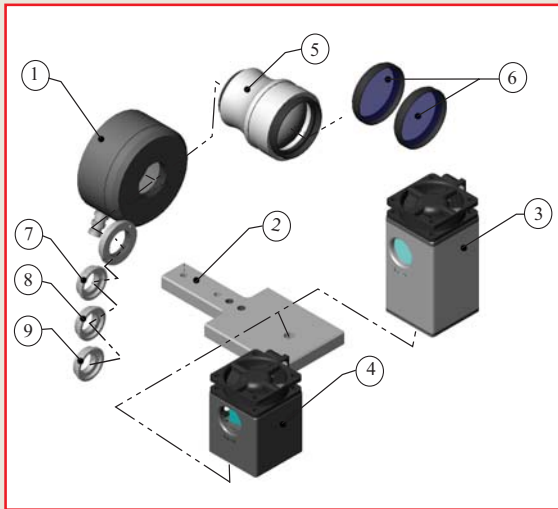
**Notes:** - Special versions are available for the UV range

- Max power in use with these samples is  $100 \text{ W/cm}^2$
- These devices are designed to support the Beam Analyzer product line as well

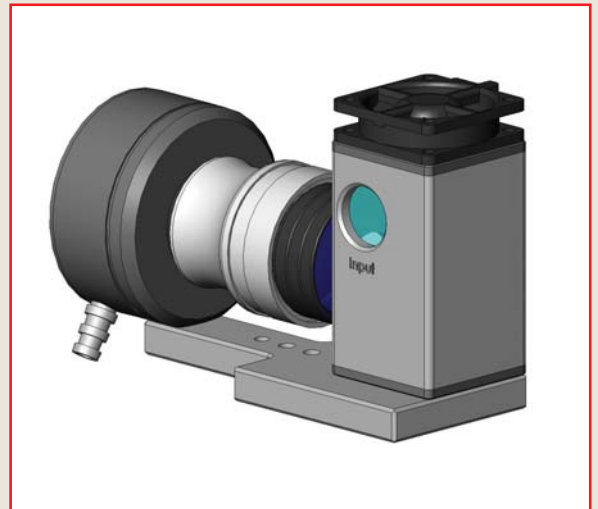
The provided **Beam Reducer (RDC)** accurately reduces the beam by a factor of 1X2.5 at the visible range. This feature is supported by a software parameter and is useful only for collimated laser beams.

## Functionality

Combining the various accessories according to the schematic block diagram provides the most powerful system for direct laser beam analysis over a wide range of power and beam sizes. For analysis of microscopic beams please refer to the  $\mu$ Beam system (Special beam profiler system).



1 - BeamOn ; 2 - MOUNTB ; 3 - SAM2 ; 4 - SAM1 ;  
5 - RDC ; 6 - RDC-Filter ; 7 - 9 - BeamOn Filters



BeamOn mounted on MOUNTB with RDC+Filters and SAM2

## Ordering Information:

|                 |  |
|-----------------|--|
| <b>MOUNTB</b>   | Mounting base for BeamOn and accessories         |
| <b>SAM2 (*)</b> | SAM2 beam sampler (ratio of $1 \times 10^{-6}$ ) |
| <b>SAM1(*)</b>  | SAM1 beam sampler (ratio of $3 \times 10^{-3}$ ) |
| <b>RDC</b>      | Beam Reducer 2.5X1                               |
| <b>RDC-FILT</b> | Filter mounted on beam reducer, X8 type          |
| <b>(*)</b>      | Power supply for built-in fan is included.       |

## Mechanical dimensions:

|                  |  |
|------------------|--|
| <b>MOUNTB:</b>   | 118x54x10mm                                      |
| <b>SAM2:</b>     | 40x40x69mm                                       |
| <b>SAM1:</b>     | 40x40x43mm                                       |
| <b>RDC:</b>      | $\varnothing 45 \text{ mm} \times 54 \text{ mm}$ |
| <b>RDC-FILT:</b> | $\varnothing 37 \text{ mm}$                      |



## DUMA OPTRONICS LTD.

1st Hazait St., P.O.Box 3370 Nesher 20306, Israel Tel:972-4-8200577 Fax: 972-4-8204190  
Website: <http://www.duma.co.il> E-mail: [sales@duma.co.il](mailto:sales@duma.co.il)