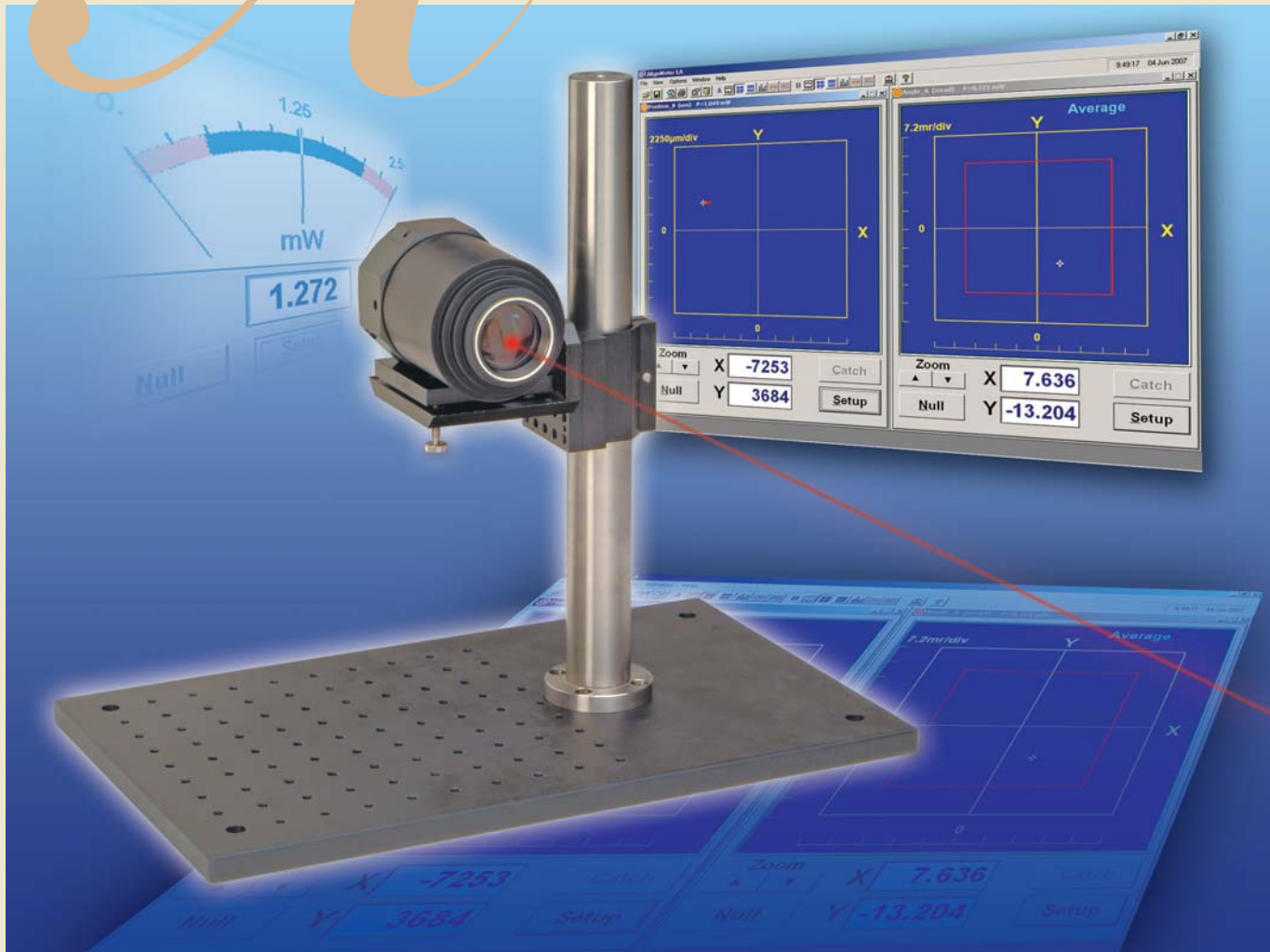


AlignMeter LA

Large Aperture Optical Alignment System



The system performs simultaneous measurements of centration (in μm), angular deviations (in mRad) of the beam with respect to the outer housing or tube, as well as absolute power.

Main applications

- Alignment of lasers and laser tubes
- Examining errors in slideways
- Alignment of gimbal systems
- Overall testing of laser beam parameters: Power, Centration, alignment and long-term stability
- Alignment of laser systems for wafer inspection
- On line laser monitoring

Main Software Features

- Real time display of Position, Angle and Power
- Set relative center, perform zooming, alarm setting, Averaging
- Chart display of Position/Angle/Power versus time with autoscaling
- Direct data logging to Excel files
- Data streaming via RS232 and TCP/IP
- Multiple device operation via USB
- ActiveX software for user application program



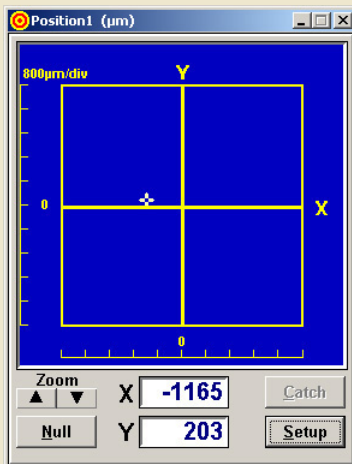
DUMA OPTRONICS LTD.

1st Hazait St., P.O.Box 3370 Nesher 20306, Israel Tel:972-4-8200577 Fax: 972-4-8204190
Website:<http://www.duma.co.il> E-mail:sales@duma.co.il



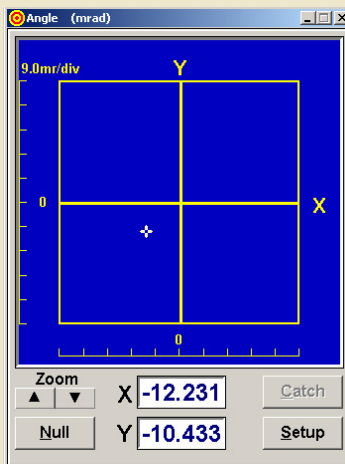
Software Presentations

Position



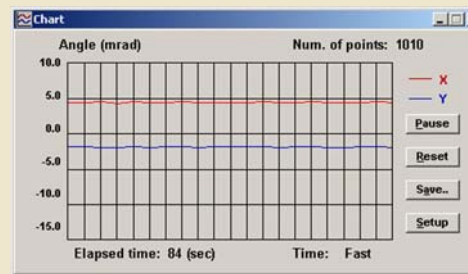
Real time display of X,Y beam position

Angle



Real time display of X,Y beam angle

Chart



Display changes in Angle/Position/Power versus time

Large digits



Large characters display (no graphics)

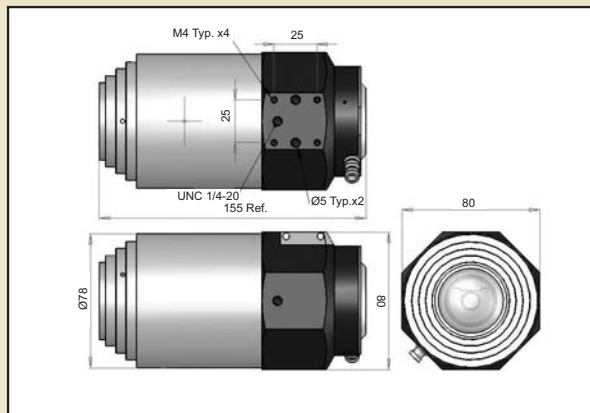
Power



Real time display of Power (analog/digital display)



Specifications



AlignMeter LA Head Drawing. Dimensions are in: mm

- Photodetector: PSD Si
- USB2.0 interface
- Usable beam size range: <22.5mm
- Position measurement range: 22.5mm x 22.5mm

- Dimensions: 155mm x 80mm, Weight: 1155gram
- Position resolution: Better than +/-2µm (with average on)
- Position accuracy: +/- 50 µm over calibrated area
- Angle measurement range: +/- 2°
- Angle resolution: +/- 1 sec
- Operational spectral range: 350-1100nm
- Power range: 100 µW – 5 mW (without filters)
- Power accuracy: +/- 5%
- Data update rate: Up to 100Hz (save to file)
- Environmental: Operating temperature 0° - 35°C
- ND Filters: Optional, 1/8 attenuation, Stackable
- CW beams only



Host Computer Requirements

Pentium IV , 2.4GHz with 512MB RAM, 100MB HDD free, CD ROM any type, mouse, Windows 2000/XP, 64MB 16 bit color VGA, one free high speed USB2.0 slot



Ordering information

ALIGN-LA: Complete system including a measuring head with 3m long attached cable, a manifold box and 1.8m long USB2.0 cable, software on CD disk, carrying case



DUMA OPTRONICS LTD.

1st Hazait St., P.O.Box 3370 Neshar 20306, Israel Tel:972-4-8200577 Fax: 972-4-8204190
Website:<http://www.duma.co.il> E-mail:sales@duma.co.il